

REMER

PIAZZA 450

LED SHAVING CABINET

SPECIFICATIONS

| | |
|-------------|----------|
| WIDTH | 450mm |
| HEIGHT | 900mm |
| DEPTH | 148mm |
| WEIGHT | 18.25kg |
| ORIENTATION | Portrait |

LIGHTING SPECIFICATIONS

| | |
|-----|------------------|
| CCT | 6500K – daylight |
| CRI | >80 |

INSTALLATION

Wall mount
 Hardwired
 Input voltage: 220-240v 50Hz
 Includes wall mount split batten
 Mounting holes are provided for semi-recessed mounting

FEATURES

Copper Free Mirror
 LED Lighting (6500K)
 Touch Sensor
 Demister
 Soft Close
 Concealed Wire Technology
 Two Adjustable Glass Shelves
 Single-Sided Mirror Door (door opens right to left)
 Recessable up to Door



5 YEAR
 REPLACEMENT
 WARRANTY

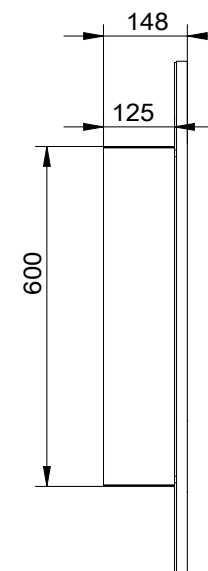
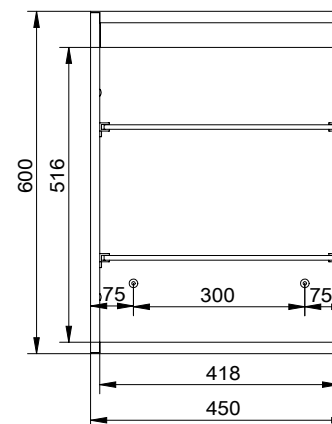
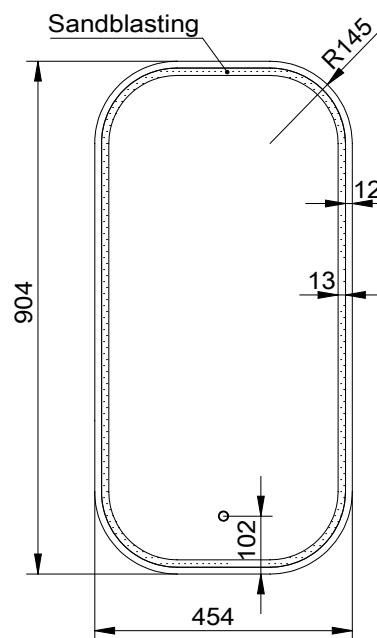
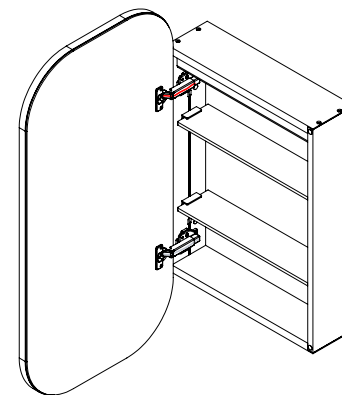
Disclaimer: All LED Products requiring hardwiring must be installed by a licensed electrician in accordance with local regulations. Sizes are in mm and nominal and should be checked prior to installation. Actual colours may vary so please check colour samples before ordering. Installation is acceptance of our products. Installation of faulty, warped, chipped or damaged products will void our warranty.

FINISH

White

PRODUCT CODE

PR45D



13-15 Edison Road, Dandenong South VIC 3175
 T (03) 9706 6663 E sales@remer.com.au W remer.com.au

REMER

PIAZZA 450

LED SHAVING CABINET WITH ALUMINIUM FRAME

SPECIFICATIONS

| | |
|-------------|----------|
| WIDTH | 454mm |
| HEIGHT | 904mm |
| DEPTH | 148mm |
| WEIGHT | 18.25kg |
| ORIENTATION | Portrait |

LIGHTING SPECIFICATIONS

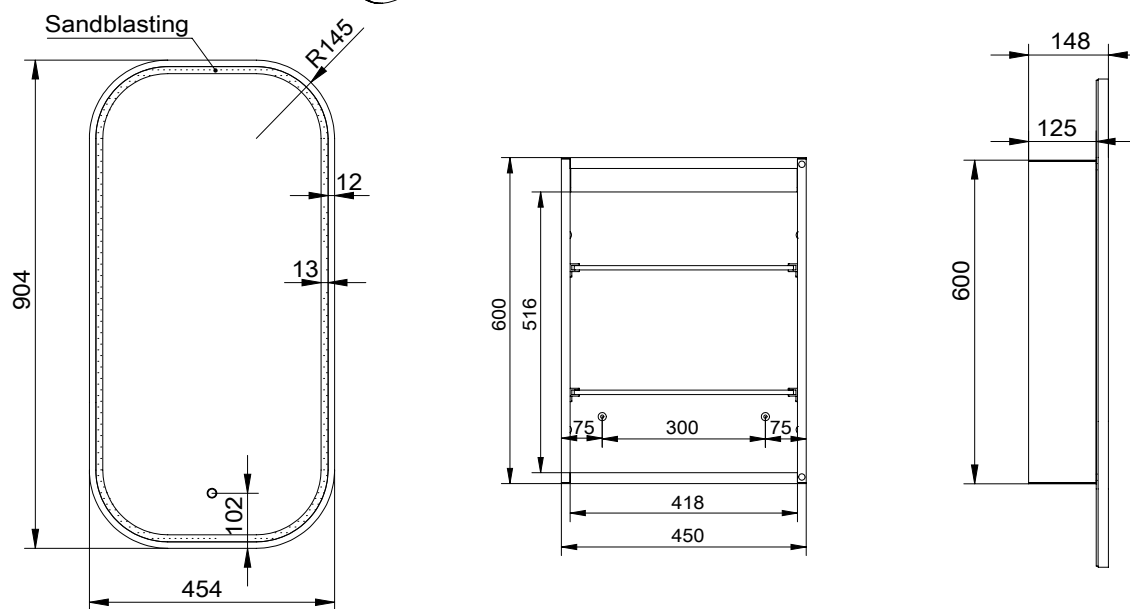
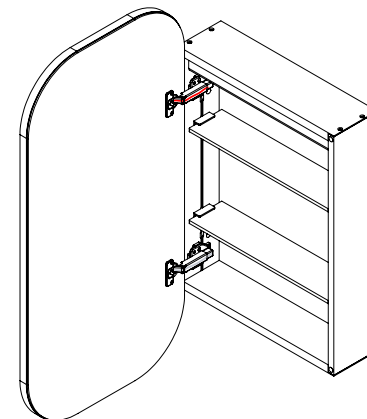
| | |
|-----|------------------|
| CCT | 6500K – daylight |
| CRI | >80 |

INSTALLATION

Wall mount
 Hardwired
 Input voltage: 220-240v 50Hz
 Includes wall mount split batten
 Mounting holes are provided for semi-recessed mounting

FEATURES

Copper Free Mirror
 LED Lighting (6500K)
 Touch Sensor
 Demister
 Soft Close
 Concealed Wire Technology
 Two Adjustable Glass Shelves
 Single-Sided Mirror Door (door opens right to left)
 Recessable up to Door



| FINISH | | PRODUCT CODE |
|-----------------|--|--------------|
| Baltic Brass | | PR45D-BB |
| Brits Nickel | | PR45D-BN |
| Cuban Bronze | | PR45D-CB |
| Georgian Metal | | PR45D-GM |
| Manhattan Black | | PR45D-MB |
| Milano White | | PR45D-MW |
| Nordic Gold | | PR45D-NG |



Disclaimer: All LED Products requiring hardwiring must be installed by a licensed electrician in accordance with local regulations. Sizes are in mm and nominal and should be checked prior to installation. Actual colours may vary so please check colour samples before ordering. Installation is acceptance of our products. Installation of faulty, warped, chipped or damaged products will void our warranty.