



EIGHT QUARTERS



## Regency Hexagon

PRODUCT CODE

EQXIRE3

INSTALLATION TYPE

Above counter

COLOUR & FINISH

Gloss white with grey and gold marbling

MATERIAL

Vitreous China

OVERFLOW

Without overflow

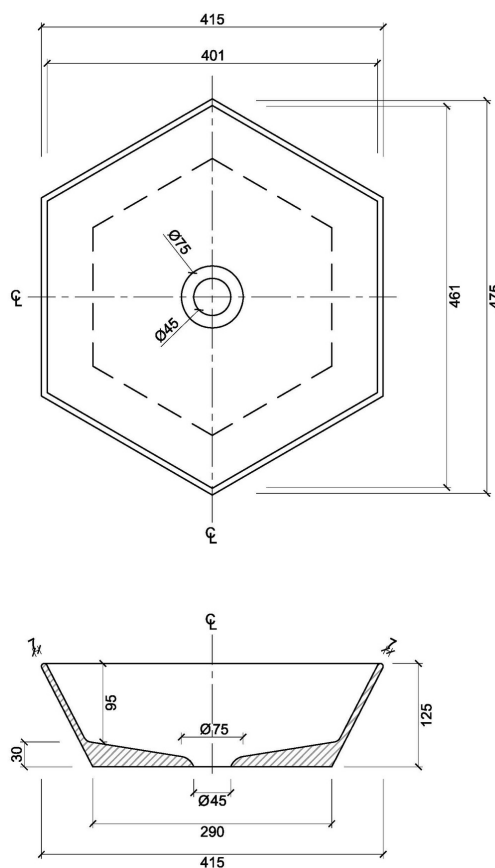
WASTE

32mm waste (not included)

WARRANTY

5 years manufacturer's warranty

[www.eightquarters.com.au](http://www.eightquarters.com.au)



All dimensions are in millimetres and subject to normal manufacturing variations